

HL LED Indicator

DIN size 24x48mm Indicator.

■ FEATURES

Size : 20x44mm Rectangular type.

Depth behind panel : 20mm

Terminal : Connector type

Mounting : Snap-in type

Illumination : Mono-color, 3-Color



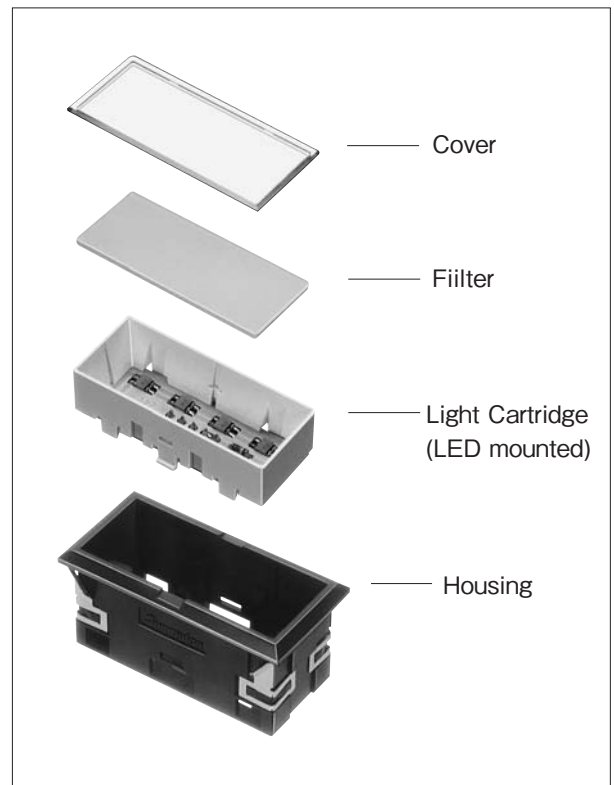
SPECIFICATIONS

Insulation Resistance	More than 100MΩ at 500V DC
Dielectric Strength	1500V AC RMS between terminals and ground (50/60Hz for 1minute)
Reverse Dielectric Strength	150V
Ambient Temperature	-10°C~40°C
Ambient Humidity	45~85%RH

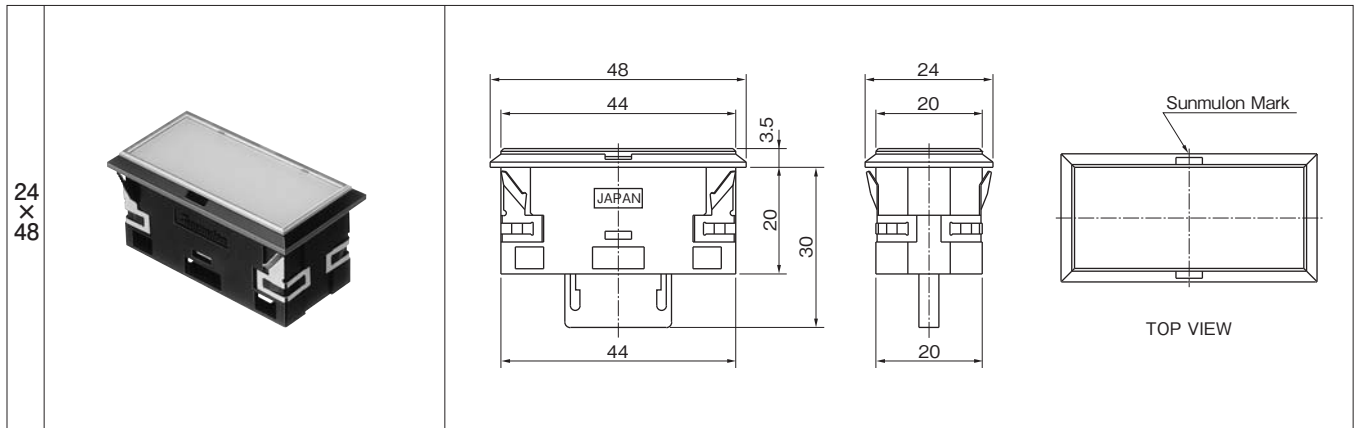
LED DATA

DC Supply Voltage (V)	Current Rating (mA)				
	Full-Face		3-Color		
	Red	Green	Red	Green	Yellow
DC12 (±5%)	26	40	25	32	36
DC24 (±5%)	13	20	13	16	18

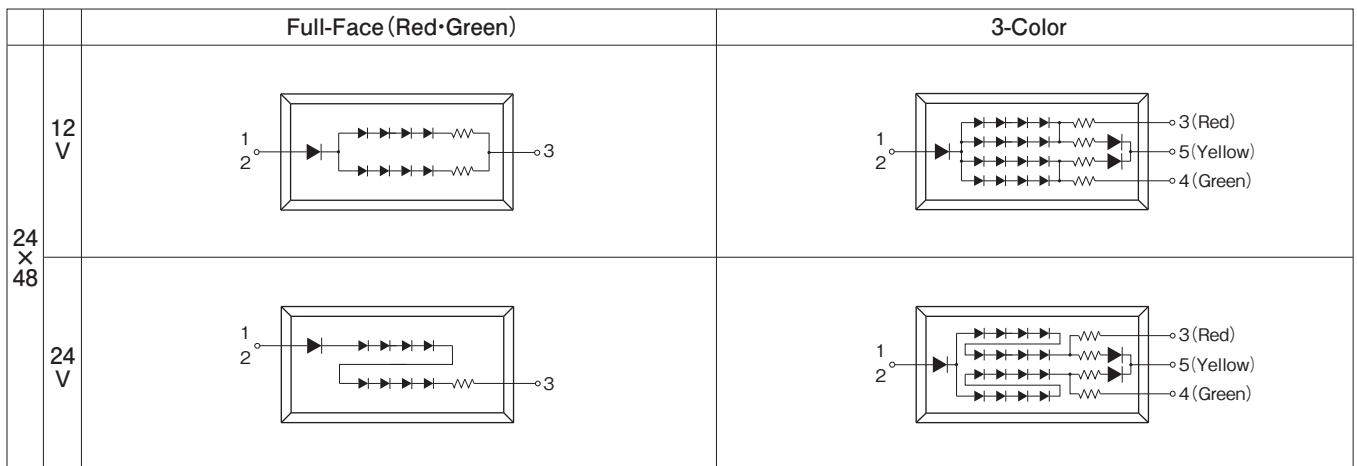
STRUCTURE



DIMENSIONS

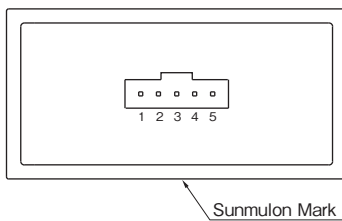


INTERNAL CONNECTION ARRANGEMENTS



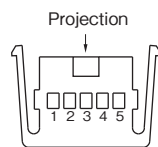
TERMINAL

● TERMINAL LAYOUT



Pin No.	Full-Face	3-Color
1	Anode (+)	Anode (+)
2	Anode (+)	Anode (+)
3	Cathode (-)	Cathode (-) Red
4		Cathode (-) Green
5		Cathode (-) Yellow

● CONNECTOR (BL-0077)

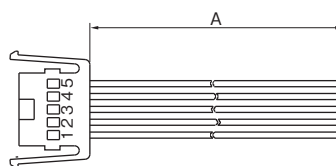


● Suitable wire

Wire size	Diameter
AWG# 24-28	1.0-1.5mm

● Wire Harness

Wire : UL1061 AWG26



A length	Part No.
50cm	CL-0230
100cm	CL-0231

Pin No.	1	2	3	4	5
Color	Red	Green	Yellow	Blue	Gray

PANEL LAYOUT / PANEL CUT DIMENSIONS

Panel thickness : 1mm~3.2mm

		Panel Layout	Panel Cut Dimensions
24 x 48	Vertical		
	Horizontal		

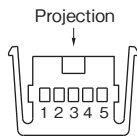
Panel cut dimension should be after panel paintings.

n : number of indicators

ACCESSORIES

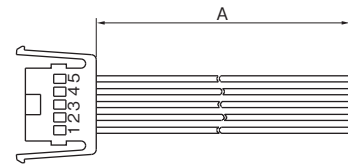
CONNECTOR

Part No. BL-0077

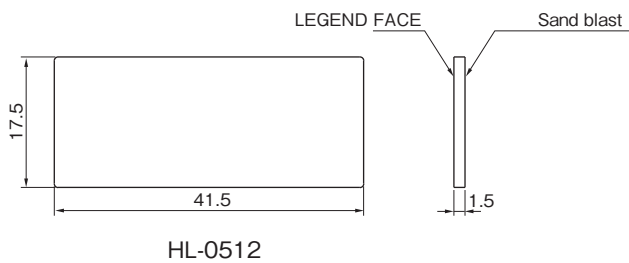


Wire Harness

A length	Part No.
50cm	CL-0230
100cm	CL-0231



FILTER DIMENSION



HL-0512

REPLACEMENT PARTS

COVER

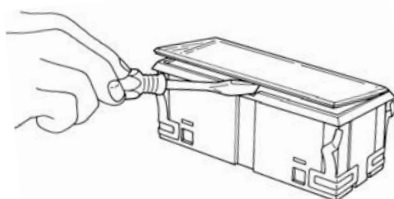
Clear
HL-0511-CC

FILTER

Color	Part No.
Red	HL-0512-LR
Green	HL-0512-LG
Lemon Yellow	HL-0512-LY
Milk-White	HL-0512-LM

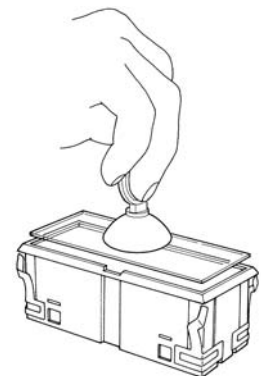
DISASSEMBLY

1. Removing Cover



Insert a flat head screwdriver in the recess in the center and turn it by 90°. Please be careful not to damage the cover.

2. Removing Filter



Put it out straight with the removing tool (SJ-0002-1).

Tolerance : ±0.4mm

ORDERING CODE

UNIT

HL — [] [] [] [] [] K [] []

● ILLUMINATION TYPE

W0	Full-Face
W3	3-Color

● LED COLOR

7	Red
15	Green
715	Red/ Green/ Yellow (3-Color)
X	Without LED

● COVER

C	Clear
X	Without Cover

● HOUSING

K	Black
H	Gray

● MOUNTING

1	For Horizontal Mtg.
2	For Vertical Mtg.
X	Without Snap spring

● Supply Voltage to LED

2	12V
3	24V
X	Without LED

● TERMINAL

K	Connector
---	-----------

● FILTER COLOR

1	Red
2	Green
4	Milk-White
8	Lemon Yellow
X	Without Filter

● NOTES

- 1) In case of 3-Color (715), filter color should be Milk-White (4).
- 2) When using Lemon Yellow filter (8), specify LED color Green (15).
- 3) Please use exclusive connector (BL-0077).
When purchasing a wire harness, connector is unnecessary, please specify 0003 at the end of the model.
- 4) Snap-spring metal plates come out Left/Right direction for Vertical mounting, and Top/Bottom direction for Horizontal mounting to avoid interfering mutually in case of serial mounting. Therefore, in case of independent use, it does not matter. (select 1 Horizontal ordinary)