

LMS-30

LMS-30 Light Sensor

30mm Wide Slit and has sensitivity regulator

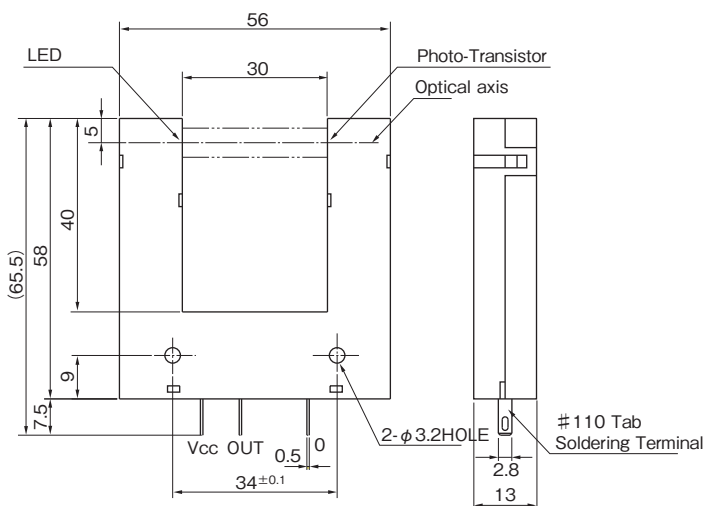
- Possible to detect the large object as the slit has a larger size of 30mm width and 40mm length.
- Dust hard to collect on the lens because the transparent flat filter is set in front of lens.



SPECIFICATION

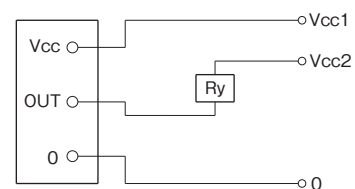
Supply Voltage	DC5V, 12V, 24V \pm 10%
Supply Current	30mA (all same for each supply voltage) ※Supply current indicates the value without the sensitivity regulation, and the sensitivity is not regulated at selling time. Moreover please note that supply current is reduced when the sensitivity is regulated. About 11mA at 90° rotation of regulator.
Load Voltage	Max. 30V
Load Current	Max. 100mA
Output Style	Open Collector Output is ON when project the light, and output is ON when shield the light.
Size of Light Shielding Object	Min. ϕ 6mm
Working Light	Infrared LED, direct current lighting
Ambient Temperature	-10~70°C
Ambient Humidity	Less than 80%RH (without waterdrops on Projecting/Receiving surface)

DIMENSION

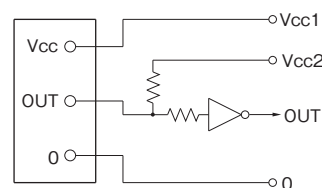


APPLICATION CIRCUIT

● Inductive Load Circuit

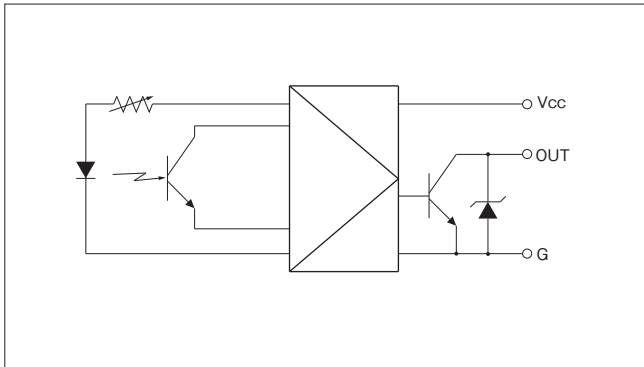


● non-inductive Load Circuit



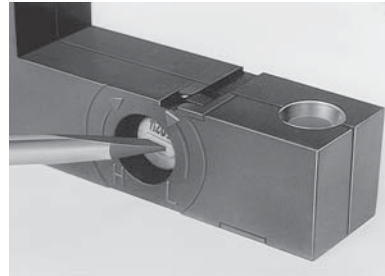
※In case of single voltage, Vcc1=Vcc2

CIRCUIT DIAGRAM



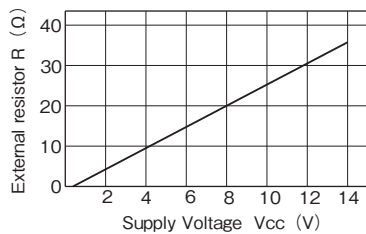
HOW TO TUNE SENSITIVITY REGULATION

Possible to detect even a white paper when the sensitivity regulation volume is rotated to H direction by driver. Set the volume angle a little more than the detecting position.

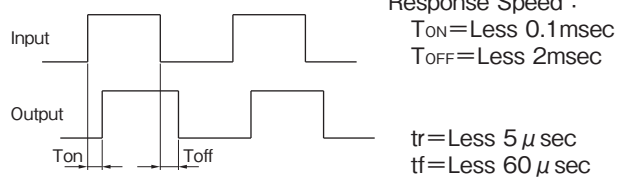


CHARACTERISTIC CURVE (EXAMPLE)

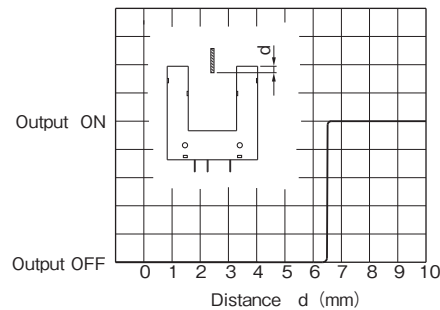
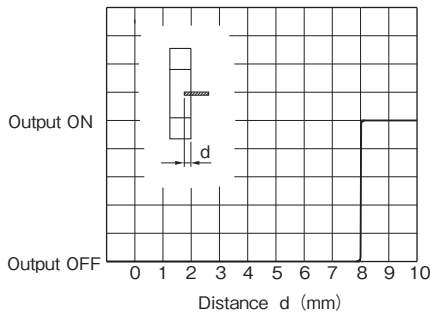
●Supply Voltage—Supply Current



●Response



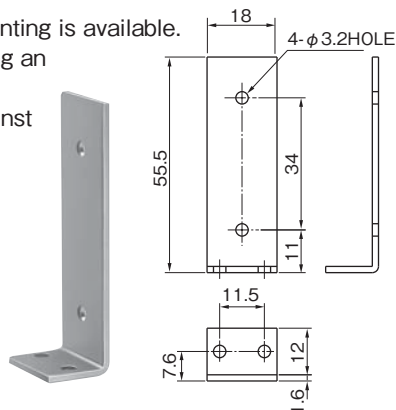
●Detective Position



ACCESSORY

Bracket for LMS-30 : LM-026

Bracket for vertical mounting is available. Convenient for detecting an object which is moving horizontal direction against the mounting plate.



ORDERING CODE

LMS-30

●Supply Voltage

1	5V
2	12V
3	24V

●Operating

None	Output is ON when shield the light.
L	Output is ON when project the light.

Tolerance : $\pm 0.4 \text{ mm}$